

Features

- PoE (Power over Ethernet)
- Modbus TCP, Modbus RTU and DCON protocol
- Excellent C/P ratio (cost/performance)
- High-resolution color touch screen
- RS-485 (including Self-Tuner)
- RTC (Real Time Clock)
- Speaker or buzzer
- Free HMIWorks development tool
- Supports the popular C programming language and Ladder Designer
- Supports the custom communication protocol (C language)
- GUI design
- ESD Protection: 4 kV
- Operating temperature: -20 ~ 50°C

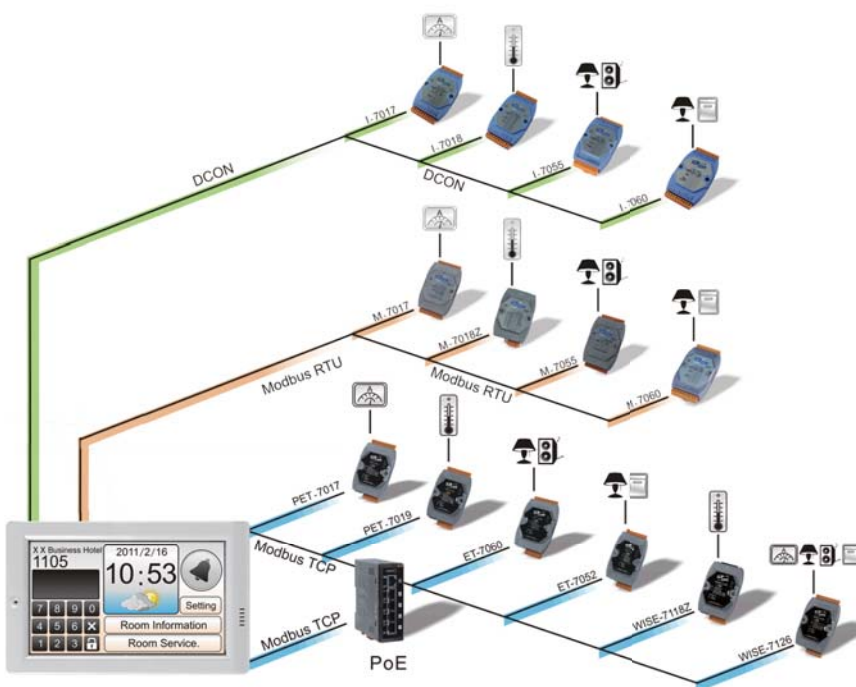


Introduction

TPD-430/TPD-430-EU/TPD-433/TPD-433-EU, TouchPAD, is a series of tiny touch HMI displays, which are designed for building and home automation applications. The TPD-430/TPD-430-EU/TPD-433/TPD-433-EU is equipped with high resolution TFT color touch screen and fits with regular electrical wall sockets. It also seamlessly integrates with a wide range of I/O modules and presents stunning, flexible and user-defined displays. In short, it is the best choice to upgrade the mechanical switch to intelligent control pads.

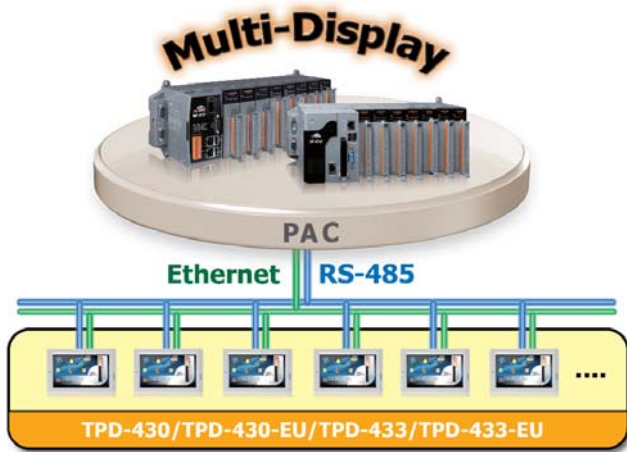
For PLC users, HMIWorks provides Ladder Designer, and for IT users, C language environment is provided. To the experienced user, it can take less than 30 minutes to learn how to create an application program for the TPD-series devices when using Ladder Designer.

Applications

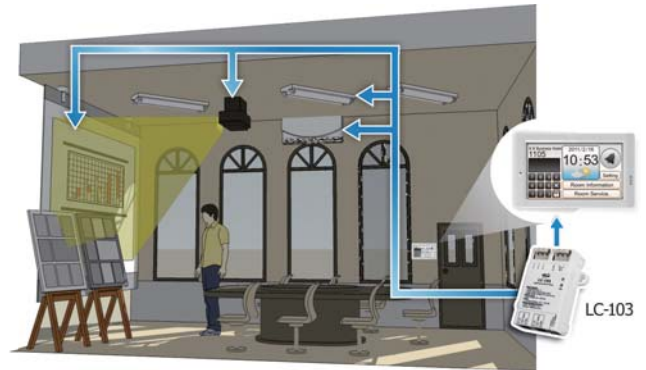


Applications

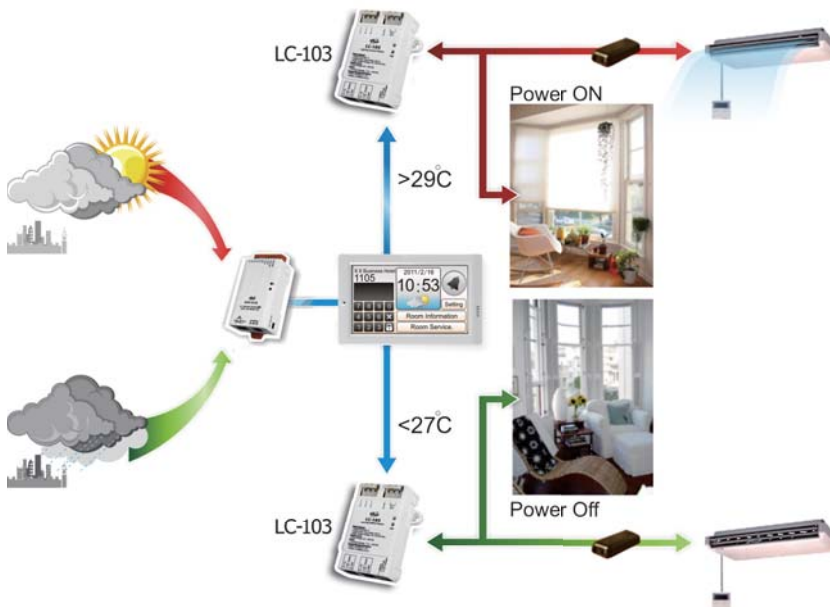
Multi-Display



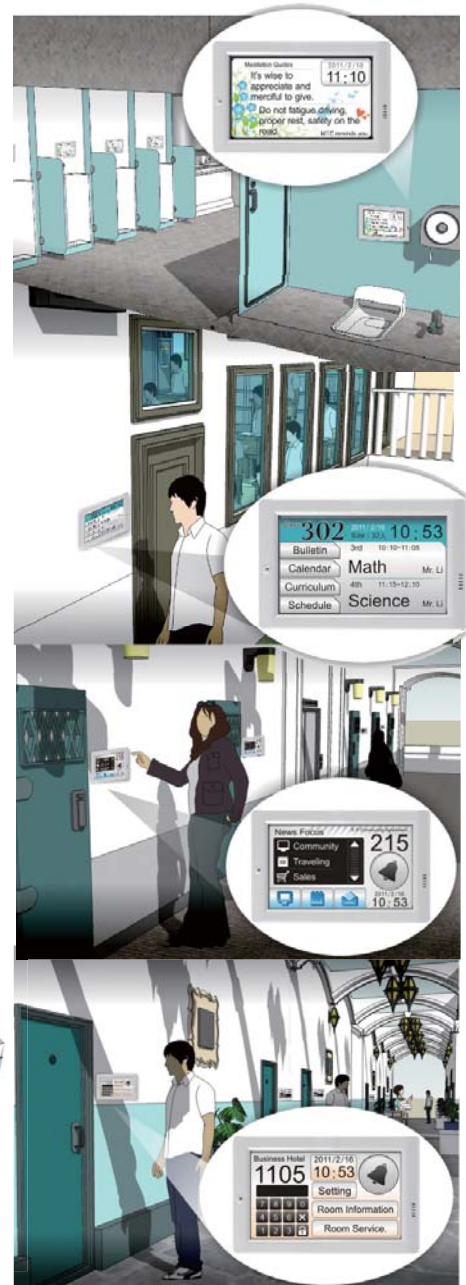
Meeting Room Example



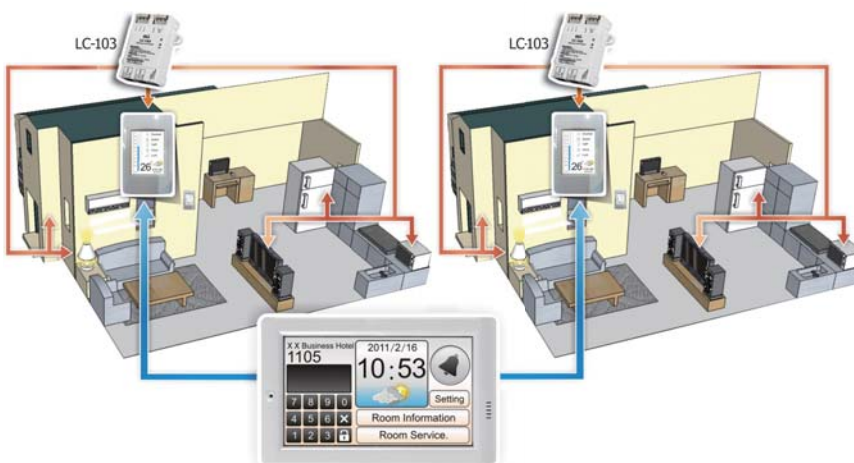
Temperature Control Example



TouchPAD Anywhere



Intelligent Building Example

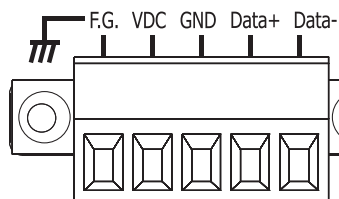


Specifications

Models	TPD-430	TPD-430-EU	TPD-433	TPD-433-EU
CPU Module				
CPU	32-bit RISC CPU			
Memory Expansion	16 MB SDRAM / 8 MB Flash			
Real Time Clock (RTC)	Yes			
Speaker	Yes			
Rotary Switch (0~9)	Yes			
Communication Interface				
Serial Port	RS-485 (including Self-Tuner)			
USB 1.1 Client	Firmware updates only			
Ethernet	-		Yes (RJ-45 x 1, 10/100 Base-TX)	
MMI (Main Machine Interface)				
LCD	4.3" TFT(Resolution 480 X 272 X 16), defective pixels <= 3			
Backlight Life	20,000 hours			
Brightness	400 cd/m2			
Touch Panel	Yes			
LED Indicator	Yes			
Reset Button	Yes			
Electrical				
Powered from Terminal Block	+10 ~ 30 VDC			
Powered from PoE	-		IEEE 802.3af, Class1 (48 V)	
Power Consumption	2.5 W			
Mechanical				
Dimensions (W x L x H)	126 mm x 82 mm x 24 mm	126 mm x 92 mm x 29 mm	126 mm x 82 mm x 24 mm	126 mm x 92 mm x 29 mm
Installation	Wall Mount (Suitable for the outlet box in United States)	Wall Mount (Suitable for the European 86mm x 86mm outlet box)	Wall Mount (Suitable for the outlet box in United States)	Wall Mount (Suitable for the European 86mm x 86mm outlet box)
Environmental				
Operating Temperature	-20 ~ +50°C			
Storage Temperature	-30 ~ +80°C			
Ambient Relative Humidity	10 ~ 90% RH, non-condensing			

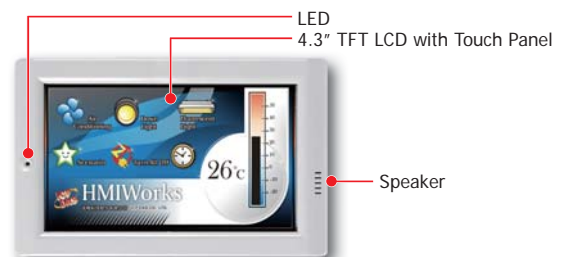
Pin Assignments

TPD-430/TPD-430-EU/TPD-433/TPD-433-EU

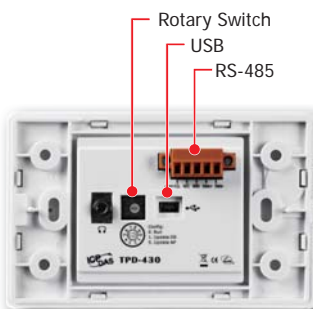


Appearance

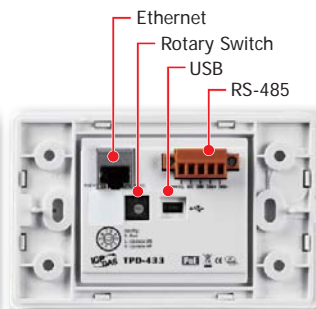
TPD-430/TPD-430-EU/TPD-433/TPD-433-EU Front View



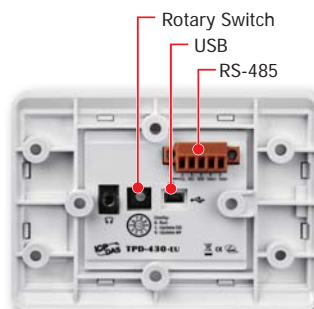
TPD-430 Rear View



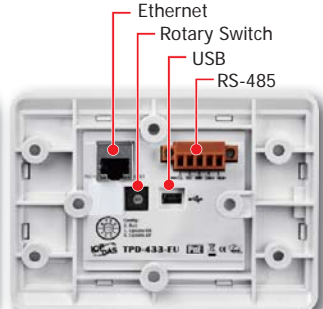
TPD-433 Rear View



TPD-430-EU Rear View

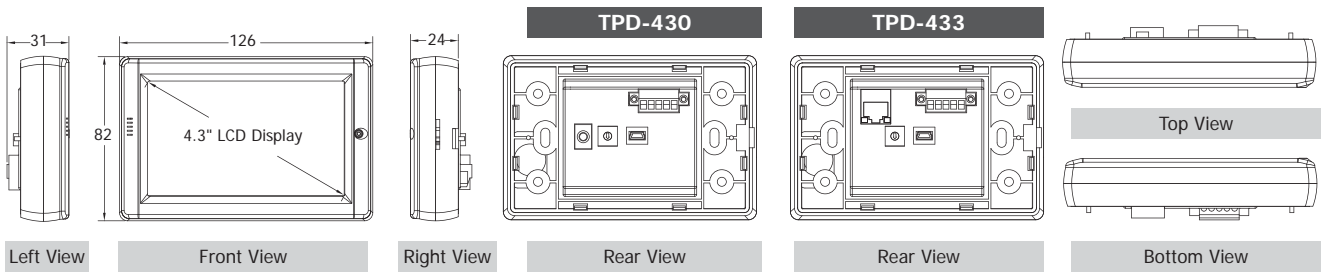


TPD-433-EU Rear View

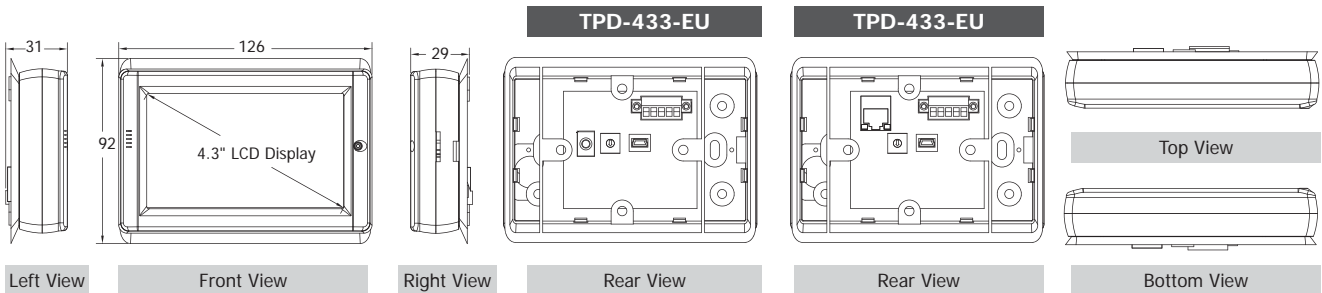


■ Dimensions (Units: mm)

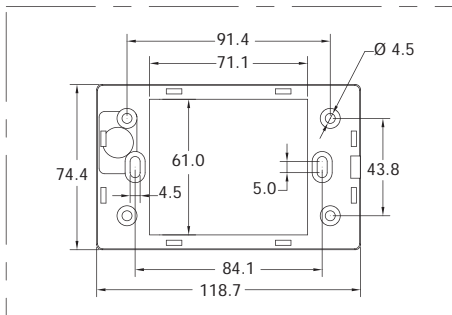
TPD-430/TPD-433



TPD-430-EU/TPD-433-EU

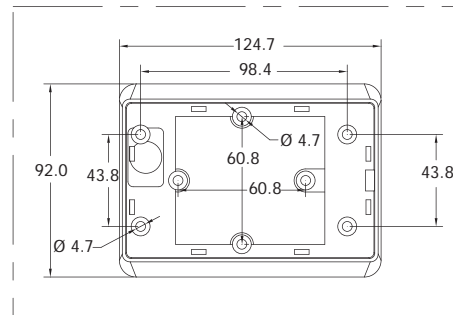


TPD-430/TPD-433



Wall Mounting

TPD-430-EU/TPD-433-EU



Wall Mounting

■ Ordering Information

TPD-430 CR	4.3" Touch HMI device with RS-485, USB, RTC, Suitable for the Outlet Box in United States (RoHS)
TPD-430-EU CR	4.3" Touch HMI device with RS-485, USB, RTC, Suitable for the European 86 x 86 mm Outlet Box (RoHS)
TPD-433 CR	4.3" Touch HMI device with Ethernet, RS-485, USB, RTC, Suitable for the Outlet Box in United States (RoHS)
TPD-433-EU CR	4.3" Touch HMI device with Ethernet, RS-485, USB, RTC, Suitable for the European 86 x 86 mm Outlet Box (RoHS)

■ Accessories

	CA-USB10	USB to 5P Mini-USB, 28AWG, 1.5 m
	1C016	2.4 mm Screw driver
	MDR-60-24 CR	24 Vdc/2.5 A, 60 W Power Supply with DIN-Rail Mounting (RoHS)
	DIN-KA52F CR	24 Vdc/1.04 A, 25 W Power Supply with DIN-Rail Mounting (RoHS)

	EWB-T43	External Wall Box for TPD-430/TPD-433
	OB120	Outlet Box for TPD-280/TPD-280U/ TPD-283/TPD-430/TPD-433 Devices